


Special Features

- CE & Atex approved electrical contacts
- Stainless steel case & measuring system
- Filled version available
- Standard followed in general EN 837-1

Application

- To control the electrical operation of compressors
- Pumps
- Motors
- Presses
- Hydraulic
- Pneumatic equipments
- Chemicals
- Petrochemical plants

Specifications
Standard Version : 100 mm

Accuracy	:	±1.0% of F. S.
Ambient temperature	:	- 20°C to + 65°C
Process temperature	:	- Max. 100°C
Electric wiring	:	DIN Connector
Contact setting	:	Over on arc of 270° through a knob placed on front of lens
Operating pressure range	:	75% of Scale Value
Over pressure limit	:	Not Suitable
Case & Bezel	:	AISI 304 SS (Bayonet Type)
Bourdon	:	AISI 316L SS
Socket	:	AISI 316L SS (Directly welded to case)
Movement	:	AISI 304 SS
Joints	:	Tig Argon Arc Welding
Protection	:	IP 65
Dial	:	Aluminum, black graduation on white background
Pointer	:	Aluminum, black coloured Fixed
Window	:	Plexi Glass
Electrical Contacts*	:	Refer How to Order
Blow off Disc	:	Neoprene
Gasket & Filling Plug	:	Neoprene

* Please specify contact set points while ordering.

Filled version - dielectric oil (option - ZZ)

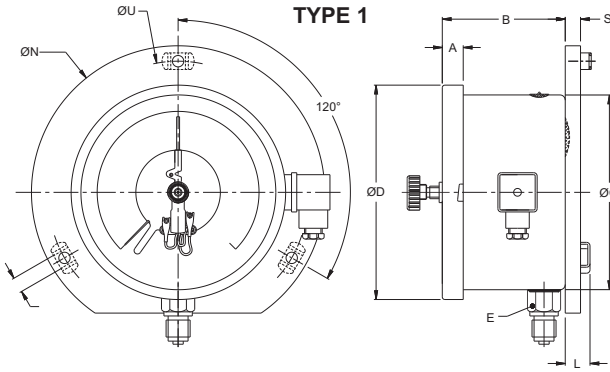
Accuracy	:	±1.6% of F. S.
Ambient Temperature	:	Maximum 65°C
Process Temperature	:	+15°C / 65 °C
Window	:	Plexi Glass
Blow off Disc*	:	Viton
Gasket & Filling Plug*	:	Viton
Dampening Liquids	:	Dielectric Oil
Other Features	:	Refer Specification of Standard Version

***BOD, Gasket & Filling plug of Viton**
Temperature effect:

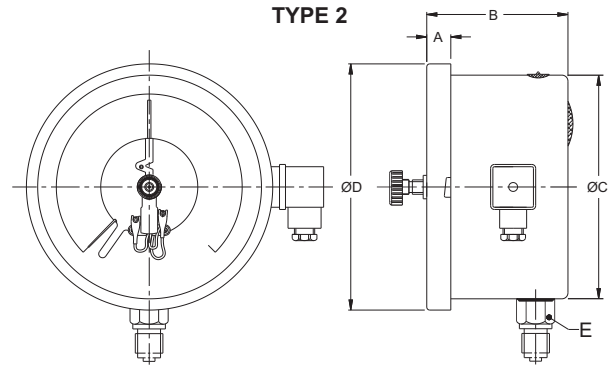
The variation of indication caused by effects of temperature is to be calculated by below formula; which is to be added in the specified accuracy while measurement :- Formula : $\pm 0.04 \times (t_2 - t_1) \%$ of F. S. where t_1 = reference temperature (+20°C) and t_2 = ambient temperature in °C.

Note : The addition of mechanical electric contacts affects the accuracy of instruments such that 1% becomes 1.5%, 1.6% becomes 2.4% etc. (Add the 50% of accuracy; If the contact is of the magnetically assisted type, this value can't be added within the ±5% of setting point.)

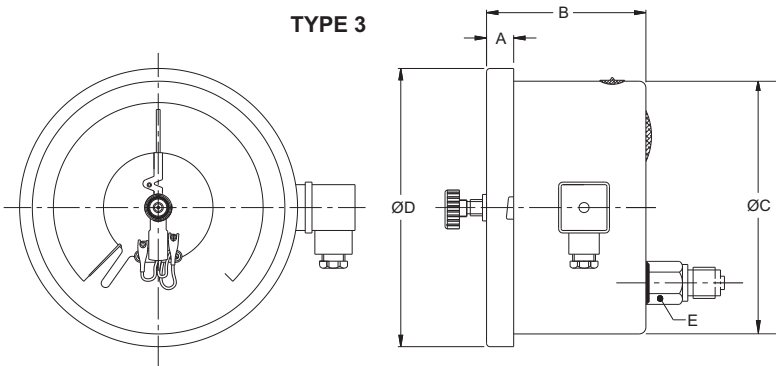
Dimensions - standard version



NS	A	B	ØC	ØD	E	ØI	ØN	ØU	L	S	Weight in gram (With Box)
100	12.5	90	100	111	A/F 22	6	134	118	15	6	920.0



NS	A	B	ØC	ØD	E	Weight in gram (With Box)
100	12.5	90	100	111	A/F 22	840.0



NS	A	B	ØC	ØD	E	Weight in gram (With Box)
100	12.5	90	100	111	A/F 22	820.0

Notes : • Drawings are not to scale.
 • All Dimensions are in mm.
 • NS = Nominal Size.

Range Table

Note : We offer Pressure, Vacuum and Compound ranges in Scales like kPa, MPa, bar, psi, kg/cm² & Dual Scale like kPa with psi, kPa with bar, bar with psi or scales as per the requirement can be provided on request. Following are the example tables for kg/cm² & psi scales

Pressure & Compound

Pressure - single scale (kg/cm ² or bar)				Compound - single scale (kg/cm ² or bar)			
0/1.6	0/10	0/60	0/400				
0/2.5	0/16	0/100	0/600	-1/5			
0/4	0/25	0/160	0/1000	-1/9			
0/6	0/40	0/250	0/1600	-1/15			

Dual scale (psi with kg/cm²)

psi	kg/cm ²	psi	kg/cm ²	psi	kg/cm ²	psi	kg/cm ²
0/25	0/1.6	0/220	0/16	0/1500	0/100	0/10000	0/700
0/35	0/2.5	0/300	0/20	0/2200	0/160	0/15000	0/1000
0/60	0/4	0/400	0/28	0/3000	0/200	0/22000	0/1600
0/100	0/7	0/600	0/40	0/4000	0/280		
0/150	0/10	0/1000	0/70	0/6000	0/400		

Accessories (Refer Datasheet for complete specifications)

EB Cooling tower
EC Gauge cock

ED Over load protector (gauge saver)**
 * Needle valve

EG Snubber
EH Siphon

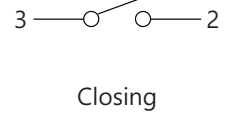
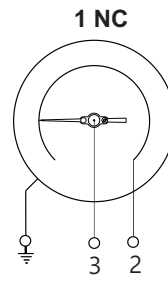
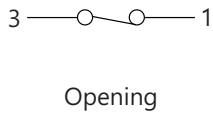
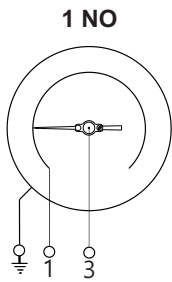
* Refer catalogue for Valves & Manifolds

** For Pressure Ranges.

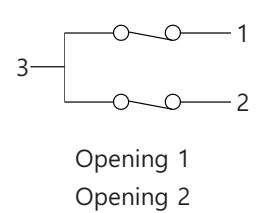
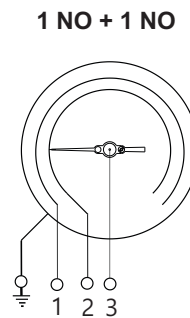
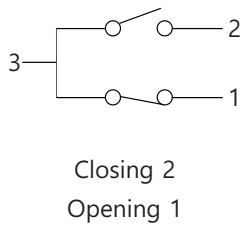
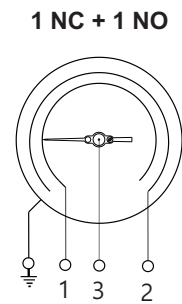
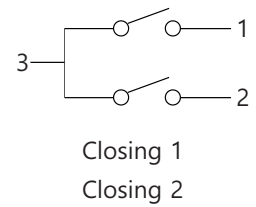
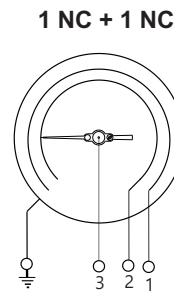
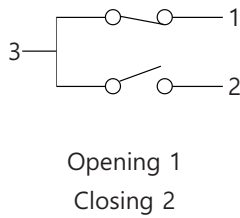
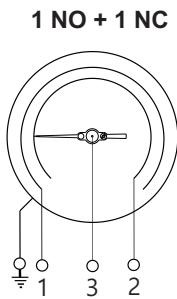
Range Table

Wiring diagrams for electric contacts

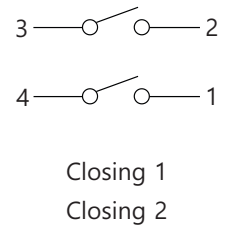
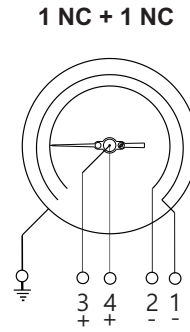
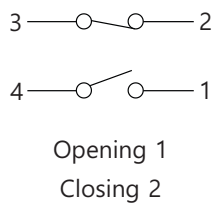
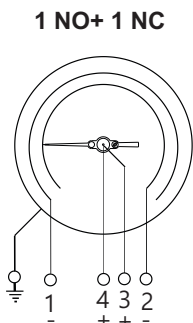
Single Contact



Double contact



Independent double contact



How To Order			Example
Basic Model			BI
Code			
Nominal Size		F	X
Type of Mounting		100 mm	X
1	Wall, surface, projection mounting with bottom entry		X
2	Direct bottom entry		
3	Direct lower back entry		
Electric Contacts (CE & ATEX approved)			
A) Single insulated magnetic snap action type (230 V AC, 1 Amp.)(48 V DC, 0.5 Amp.)		B) Inductive type (220 V AC, 0.4 Amp.)	
RJ	Single; normally closed (1 NC)	YW	Single; normally open (1 NO)
RK	Double; normally closed + normally open (1 NC +1 NO)	YV	Single; normally closed (1 NC)
RL	Single; normally open (1 NO)	YX	Double; normally closed + normally open (1 NC +1 NO)
RM	Double; normally open + normally closed (1 NO + 1 NC)	YY	Double; normally open (both NO)
RN	Double; normally closed (both NC)	YZ	Double; normally closed (both NC)
RO	Double; normally open (both NO)	ZA	Double; normally open + normally closed (1 NO + 1 NC)
RU	Booster with relay for current upto 5 Amp.		
RA	SPDT		
RC	DPDT		
Gauge Connection			
3BM	3/8" BSP (M) Standard	2NM	1/4" NPT (M)
4BM	1/2" BSP (M) Standard	4NM	1/2" NPT (M) Standard
		4TM	1/2" BSPT (M)
		4MM	M20 x 1.5 (M)
Note : Connections like Metric/ PT/ PF/ Flaired/ UNF/ G/ R etc can be provided on request.			
Range			0/10 kg/cm ²
Refer range table			
Options			
TI	Monel bourdon & socket (Monel version)**	TF	Conformity as per NACE standard
PS	AISI 316 SS case & bezel*	RH	Custom designed dial##
PW	Five point calibration certificate	QB	Integral dampening screw (AISI 316 SS)
ZZ	Dielectric oil filled#	FL	Integral dampening screw (Monel)**
SX	SS tag plate	SA	Internal overpressure stop
TB	Helium leak test	SB	Internal vacuum stop
GH	Material test certificates***	SF	Movement with dampening jelly

* Consult factory for minimum order quantity & delivery. # BOD, gasket & filling plug of viton.

**Integral dampening screw will be in monel if ordered. Refer option FL. ## Consult factory for dial design approval.

*** Material test certificates will be provided for wetted parts only with chemical composition testing. For others, Please consult factory.

Ordering Example: BI . X . X . XX . XXX . 0/10kg/cm² . XX

For other optional items, please contact factory for delivery and minimum quantity of order.

Note : Specifications and dimensions given in this product catalogue represents the state of engineering at the time of printing .
Modifications may take place and materials specified may be replaced by others without prior notice.